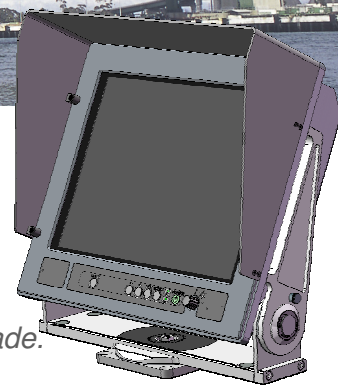




Technical Data Sheet

Sea Line 15.0" MK3 Monitor



The Sea Line Monitors, are a series of rugged TFT LCD Displays monitors. Our monitors are built following a modular approach, making them suitable as well for OEM or Private Label versions.

Our displays can be flush mounted or equipped with stand, turntable and/or sunshade.

Please note that our monitors have been approved with all accessories mounted.

All our monitors are provided with AC/DC inputs and can even be used as a part of an UPS system. Special attention has been made in building our power inverter for driving the backlight.

Technical Specifications Sea Line 15.0" MK3 Monitor

Matching standards: IEC 60945, IEC 61174 (ECDIS), IEC 60936 (RADAR), IEC 60529 (IP), IACS E10. Designed to comply with MIL-STD-810F & MIL-STD-901D.

Obtained approvals: Approved by BSH. Other approvals can be conducted on request.

Display size: 15.0" - 38.1cm. 304.1 (W) x 228.1 (H) mm

Overall dimensions: 400 (W) x 345 (H) x 70 (D) mm - flush mounting
419 (W) x 389 (H) x 378 (D) mm - with Stand & Turntable

Net/Gross weight: 8.1 Kg (monitor only) / 10.9 Kg (Monitor with Stand & Turntable)

Resolution: Max 1.024 x 768 pixels (XGA)

Synchronisation: Separate/Composite, 15-100 kHz (H), 30-100 Hz (V)

Response time: 19 ms

Contrast ratio: 450:1

Dot pitch: 0.297 (H) x 0.297 (V) mm

Light intensity: 450 cd/m²

Numbers of colours: 16.7 Millions depending on graphics card

Viewing angle: 150°

Controls knobs: Power, Menu, Set, +, -, Lock. All with dimmable light.

Potentiometer: Brightness (TFT Backlight intensity)

Indicators: Power indicator, AC or DC, dimmable LEDs

Supply voltage: 115 VAC ±10%, 230 VAC ±10% (switch), 24 VDC+30/-20%

Power Consumption: 40 W (AC) / 35 W (DC)

Colours: Front & back: RAL 7015.
Stand & turntable RAL 9007. Other colours available on request.

Enclosure protection: IP 66 & IP 67 mounted in console, with optional sealing kit (gasket & grease)

Glass type: Conturan[®] hardened, antiglare coated

Control Input: RS 232 D-SUB 9 pin female

Operating/Storage Temp.: -15/+55 °C. +5/131 °F (IEC 60945) / -25/+70 °C. -13/158 °F

Input: DVI-I (Analogue and Digital), VGA, Composite video, S-Video, AC power IEC Inlet & DC screw terminal

Backlight life: Typ. 50.000 hours

Dimming range: 0-100% (Dimming ratio 1.000:1)

Accessories: Sunshade (SL150-01.SUN.01-0001)
Single Brackets (SL150-01.STA.01-0001)
Single Brackets + Turntable (SL150-01.STU.01-0001)

Specifications subject to changes without prior notice.

The contents of this page are property of North Invent A/S. All rights herein are reserved to North Invent A/S. This document cannot be reproduced without the written permission of the company.

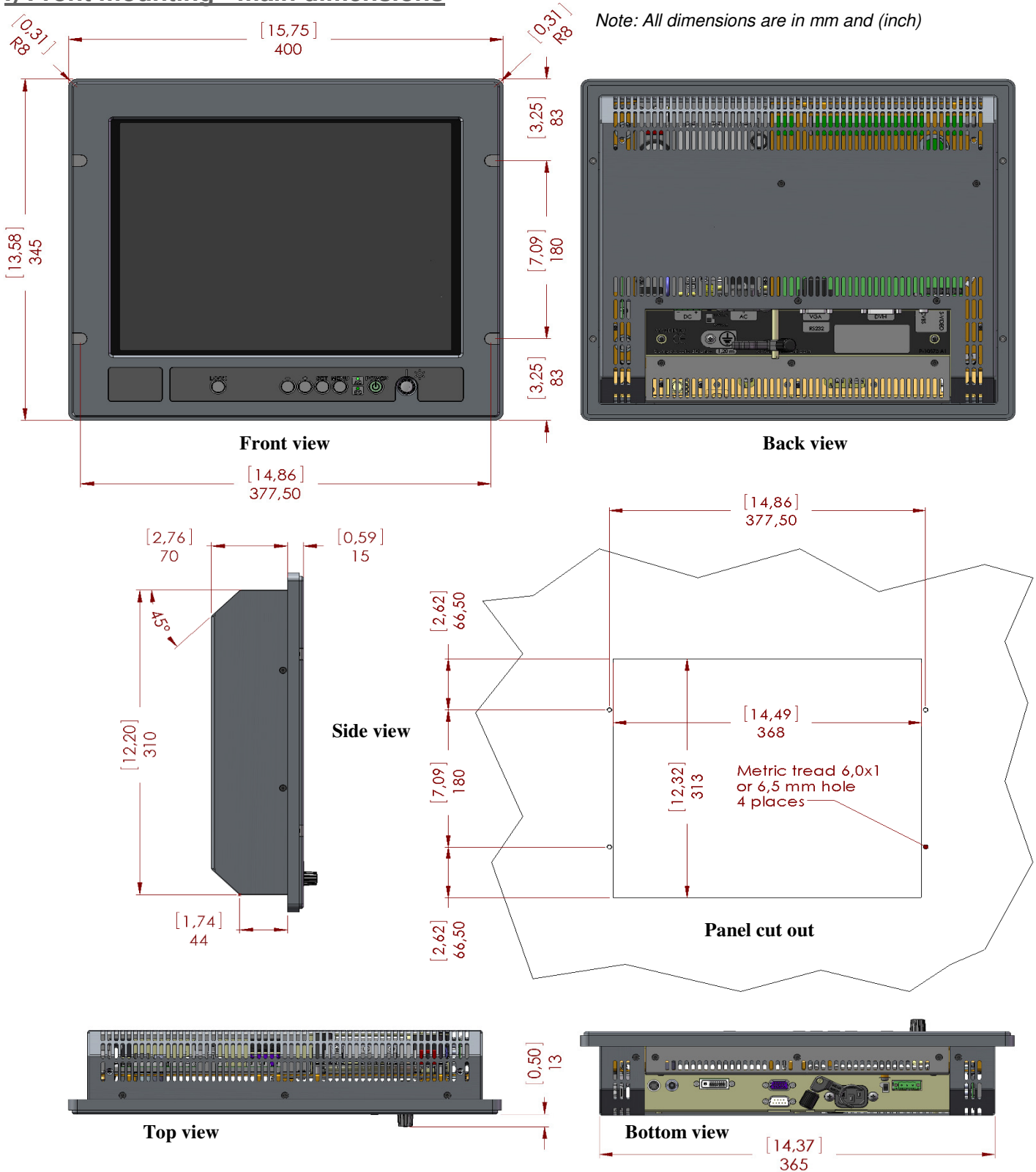
North Invent A/S

Mosetoften 20, DK-8722 Hedensted
Phone: + 45 87 53 89 00 / Fax: + 45 70 21 72 11
mail: info@northinvent.com / Web: www.northinvent.com



I) Front mounting - main dimensions

Note: All dimensions are in mm and (inch)



Specifications subject to changes without prior notice.

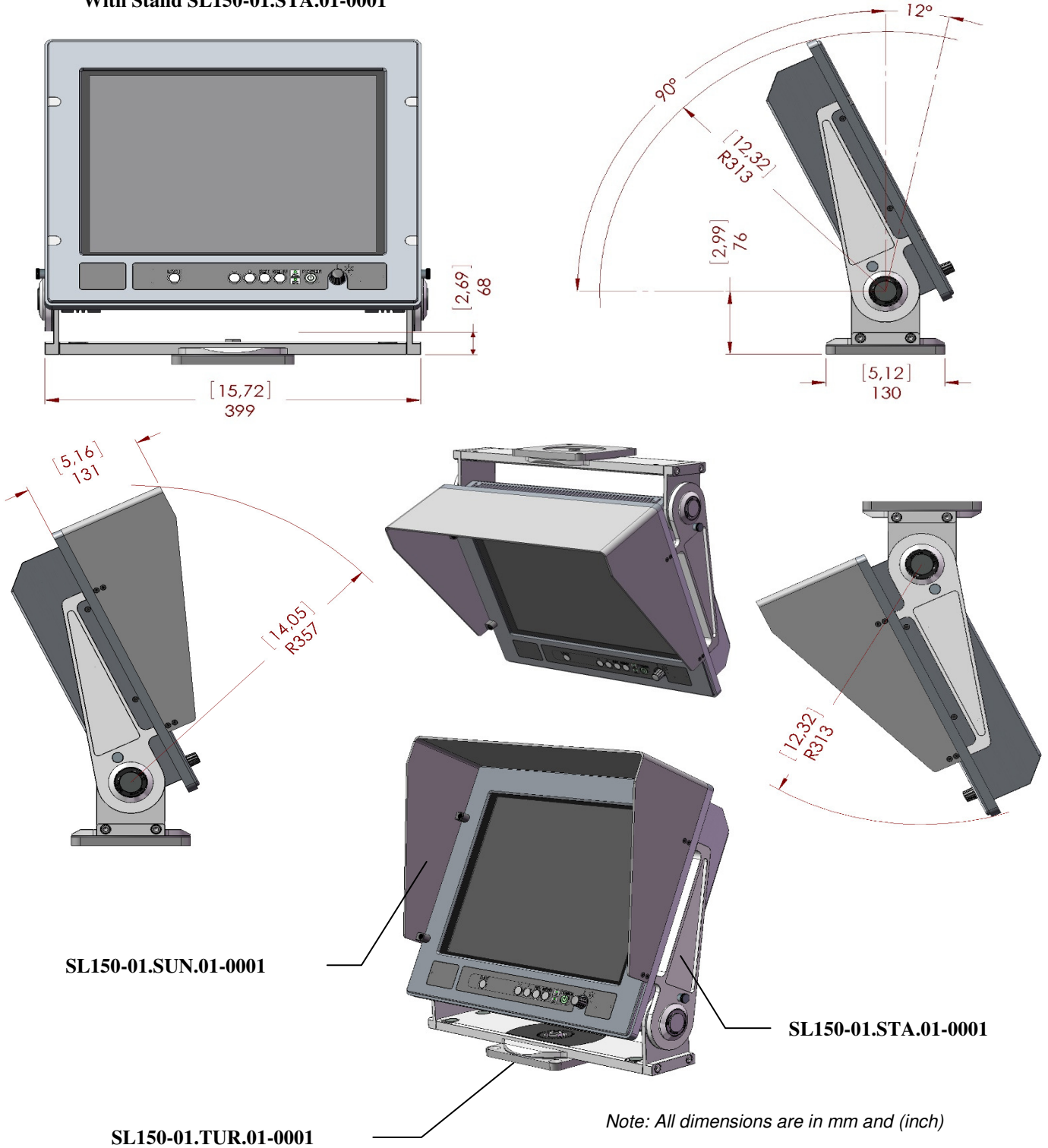
The contents of this page are property of North Invent A/S. All rights herein are reserved to North Invent A/S. This document cannot be reproduced without the written permission of the company.



Technical Data Sheet

II) Stand, turntable & sunshade mounted on monitor - main dimensions

With Stand SL150-01.STA.01-0001



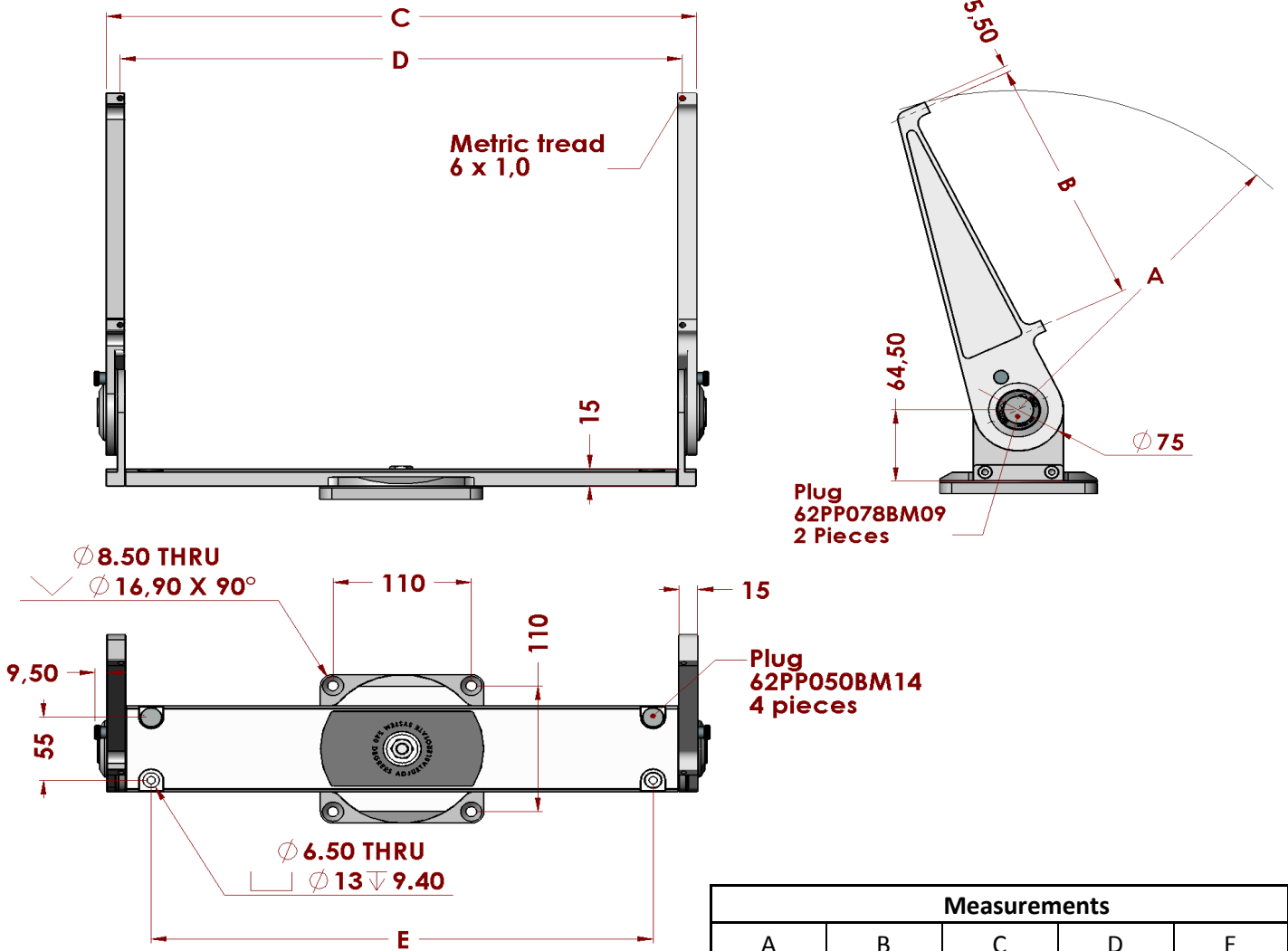
Note: All dimensions are in mm and (inch)

Specifications subject to changes without prior notice.

The contents of this page are property of North Invent A/S. All rights herein are reserved to North Invent A/S. This document cannot be reproduced without the written permission of the company.



III) Stand - main dimensions



Note: All dimensions are in mm

SL150-01.STA.01-0001	Measurements				
	A	B	C	D	E
	325	180	400	377.5	328.9

Please note the following:

- All the mentioned marine and military standards can also be applied to the standard Monitor.
- The approved vibration test has been conducted with monitors fully equipped with Stand, Turntable & Sunshade, without significant amplifications.
- Monitors can match IP66 (dust proof & powerful jetting) and IP67 (dust proof & temporary immersion) requirements, with use of the optional Sealing kit. It makes our Monitors suitable for mounting on e.g. open bridge wings.
- The internal gasket of our front glass while being dust proof may still be permeable by vapour. In order to avoid both dust and dew building up inside the glass, please take a further contact with us.

The following is enclosed in a standard delivery:

- 1 x SL150-01.MON.03-0001, 15" Monitor
- 1 x User Manual for Sea Line Monitors (identical for 15", 19", 21.3" & 23.1" monitors)
- 1 x Power AC Cable / 1 x DC plug / 1 x VGA Cable
- 4 x M6 x 25, Stainless Steel screws for front mounting / 4 x Cover for M6 screws

Specifications subject to changes without prior notice.

The contents of this page are property of North Invent A/S. All rights herein are reserved to North Invent A/S. This document cannot be reproduced without the written permission of the company.